

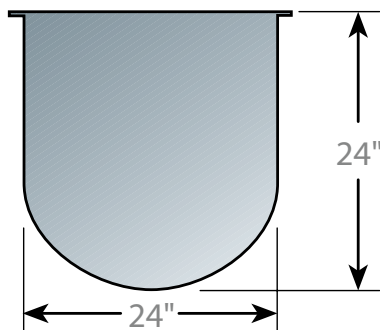


Jc Tritoon Marine
THE ORIGINAL TRITOON

JC TriToon Advantage

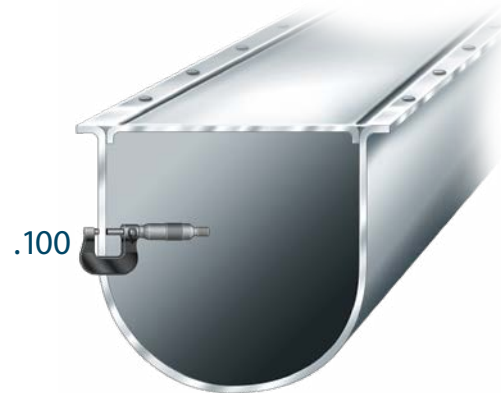
- U-shaped pontoons offer **greater volume and carrying capacity** (1-2 person increase on average). Ride higher and drier. U-shape prevents water from getting on top of pontoon and weighing it down.
- **Full length center pontoon on ALL TriToon** boats adds performance and quality of ride versus the partial third tube that is offered by some competitors.
- **Cross members are bolted directly to pontoons** offering unmatched durability and strength. U-shaped tubes have **no stress on welds**, like round tubes have, because U-shaped tubes are bolted directly to cross members which increases the structural integrity. They are **NOT** bolted to a bracket that is then welded to the tubes which reduces the structural integrity of the overall boat.
- The TriToon™ Sport tube hull and tube design includes additional design innovations that **reduce water loads** and **allows for nearly seamless, cut-through performance**.
- Traditional round tubes used by competitors yields to more resistance and decreases the boat handling because the hull sits deeper in the water.

JC TriToon™ Spirit, NepToons, SwingBack and SportToon tubes are constructed of .100 gauge marine aluminum with a .125 nose cone – the strongest on the market.

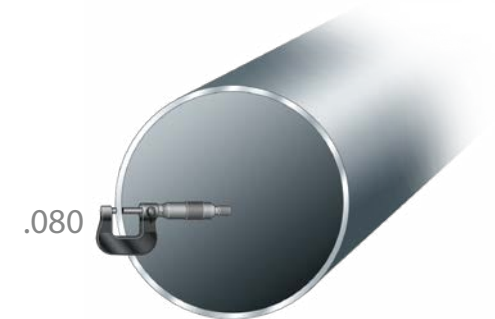


JC Tube

Tube has more flotation than a 25" round with an advanced U-shaped design.



JC Spirit/NepToon/ SwingBack/SportToon

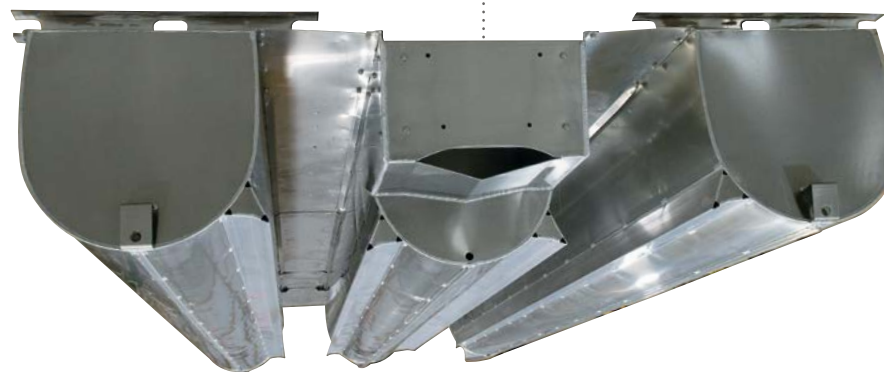


Industry Standard



TriToon™ Sport Hull

The awesome TriToon Sport hull has our exclusive lifting fin design. Our TriToon Sport hull not only increases top end speed but also yields handling that is as quick and precise as any sport boat. This hull features a 49 gallon in-tube fuel tank and optional in-tube ski storage. The TriToon Sport hull is standard on all JC Models, the SportToon TT, NepToon TT Sport, and SwingBack TT Sport, Spirit TT Sport.



Celebrating Over 40 Years
of Innovative Boat Design and Engineering

High Tide Hull (HTH)

The High Tide Hull is a new super structure on top of our proven U-shaped Pontoons. This heavier built super structure is designed to withstand the ever-increasing horsepower and torque of the next generation outboard engines. We have decided to be proactive in this new design to keep up with what the engine companies can deliver.

Some of the added advantages of the HTH are an additional 3" of free board above the water. This may not sound like much, but it generates a drier, softer ride in rough water. It also allows space between the pontoon deck and the pontoons for a bow anchor locker and a deeper in-tube storage compartment. The HTH hull on average, adds 400 pounds that contributes to the softer ride.



The HTH Frame has heavy duty 5½" cross members that provides 3" of additional free board above the water.

HTH available on:
SportToon 24TT, 26TT, 28TT
Swing Back 23TT, 25TT, 27TT
NepToon 23TT, 25TT, 27TT
Spirit 24' and 26' models
with Super Sport option

The Bow Anchor Locker compartment is built in to the frame of the HTH and the In-tube Storage compartment is even deeper.



If you are seriously researching our boats, then you have already ruled out the majority of pontoons currently on the market. You are now comparing us to the three or four premium manufacturers that build a pontoon in our price and quality range. There are many good pontoons in our price range. As you make your buying decision, we wish to point out a few of the standard and optional features on our pontoons that truly make the JC TriToon difference.

Outstanding Standards:

- Tubes are bolted directly to the structural cross-members with heavy-duty stainless steel bolts and lock nuts.
- All SuperTubes have baffles and are pressure tested to assure that they are air tight (NO Foam) before leaving the factory.
- Solid extruded aluminum skid bar is welded to all tubes and the aluminum bottom skin is standard on all models.
- 49 gallon fuel capacity is standard on all models with the exception of the SportAngler that has a 100 gallon fuel capacity standard.
- Durable, textured and attractive White or Black powder coating is the standard rail finish on all JC TriToons as well as the Rigid Poly Vinyl Trim.
- All Bimini Tops are made of Sunbrella material.
- The flooring is stretched and stapled to the deck rather than glued.
- Top of the line Fusion Apollo MS-RA770 Stereo with at least (4) Speakers is standard on all JC TriToon models.
- Bow Pods with built-in storage compartment and Stainless Steel grab bar (SportToon models).
- Automatic Navigation Light Module (NepToon, SwingBack and SportToon models).
- 15 minute Delay and Boarding Assistance Switch (NepToon, SwingBack, and SportToon models).

Optimal Options:

- High Tide Hull (standard on SportAngler, and SportYacht models).
- 100 Gallon Fuel tank.
- Accu-Thrust Thruster System.
- SS Heavy Duty Electric Bimini (50 mph rating).
- Misting System for Floor and/or Bimini.
- Helm Misting System.



Accu-Thrust Thruster System on the JC TriToon High Tide Hull!



Simplicity through Technology is JC TriToon Marine's continuing theme!

The **Accu-Thrust, Thruster System** that we offer is just one more exciting implement that sets JC TriToon apart from other pontoon manufacturers.

With this option, even an inexperienced boater can **dock and load a trailer like a professional**. The Thruster System has even proven to remove the need that some boaters have used to **ensure maneuverability in rough waters**, by having costly dual engines.

The installation of this system, creates a **unique and completely flush, unobstructive mounting**, in the tube. The insert plate, inside the pontoon is 100 % sealed so that water cannot penetrate. The motor is the single moving part attached to the shaft and requires only a 12-volt electric connection.

All four thrusters are **easily, individually controlled** with arrow directional rocker switches on the dash.





Flip-up Table & SS Cup Holders



Two Drawers & Flip-down (USB)



Wine Cabinet & Flip-down (USB)

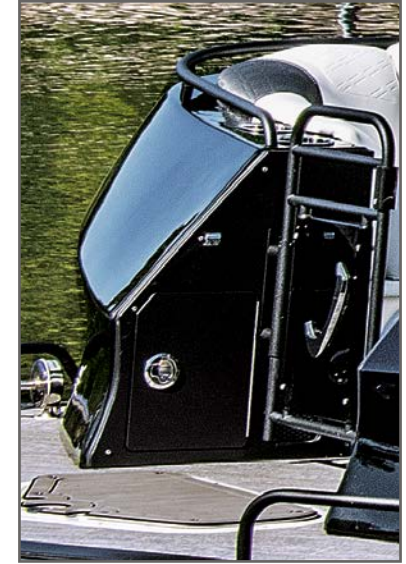


Trash Can & Flip-down (USB)



Storage & Drawer (USB)

Flexible floor plan choices means making the most of your ride, and everyone will notice the iconic profile of a TriToon made boat coming down the channel and sailing across waves.



Iconic Bow Pods with Storage Door



SPORTTOON 26TT HTH



9" Garmin and Two R3 Digital Gauges Standard on SportToon Boats



Suzuki Marine Engines Pair Well with JC TriToon Boats

Carbon Fiber Sport Arch with Bimini

SportToon STAND-OUT Standard Features

- 3 – U Shaped Tubes
- 100 5052 H34 Aluminum Pontoons
- .125 Nose-cones
- Lifting Fins
- .090 Sq. Alum. Textured Powder Coated Rails (White or Black)
- 49 Gallon Fuel Tank
- 16" on Center Cross Members
- 3/4" Wolmanized Shiplap Plywood Deck
- Aluminum Bottom Skin
- Rigid Poly Vinyl Trim (White or Black)
- SS Rub Rail Insert
- Polished Aluminum Corner Castings
- 5 – SS Flip-up Cleats
- SS Double Bow Gates
- SS Stbd. Stern Ladder w/Blue LED Lights
- Heavy Duty SS Ski Tow
- JC Grass or JC Plank Flooring (Taupe or Gray)
- SS Bow Rails
- Bow Pods w/Corner Cabinets
- LED Docking and Navigation Lights
- Power Assist Hydraulic Steering w/Tilt Wheel
- Interior Courtesy Lighting (Blue)
- Battery Control Center
- Dash w/9" Garmin Touch Screen and 2 – Programmable Digital Gauges
- Automatic Navigation Light Module
- 15 Minute Delay and Boarding Assistance Switch
- Fusion Apollo MS-RA770 Stereo w/4 – 7.7 Speakers and Auxiliary USB
- Lounger Arms w/Storage Door and Folding Arm Rest
- Upholstery Trim Package
- HighBack Recliner – Captains Chair w/ Heavy Duty Pedestal
- Power Bimini Top – Electric (Sunbrella)
- Lounger Arm w/2-Drawers & Flip-down – USB
- Lounger Arm w/Wine Cabinet & Flip-down – USB
- Lounger Arm w/Cooler
- Lounger Arm w/Flip-up Table & SS Cups
- Upright Cooler
- Slide-out Bow Lounges (Pair)
- Raised Helm Platform w/Marine Mat
- RGB Interior/Exterior Lighting Package
- 100 Gallon Fuel Tank
- In-Tube Storage w/Marine Mat
- Dual 9" Garmin Touch Screen
- Power Sport Arch w/Bimini
- Dual Rear Swim Platform w/Ladder
- Premium Speakers (6) 8.8 w/RGB Lights (w/6 Channel Amp)
- Tower Speakers (2) w/RGB Lights (w/2 channel amp; Requires Tower)
- Misting System Floor and/or Bimini
- Misting System for Helm
- Seat Covers (Sunbrella)
- Mooring Cover (Sunbrella)

OPTIMAL Options

- High Tide Hull (available on 24', 26', 28' only)
- Accu-Thrust Thruster System
- White-out/Black-out Package
- Lounger Arm w/Storage & Drawer – USB
- Lounger Arm w/Trash & Flip-down – USB

SportToon . SPECIFICATIONS

	22TT	24TT	26TT	28TT
Hull Type	TriToon	TriToon	TriToon	TriToon
Pontoon Length	22'	24'	26'	28'
Aluminum Gauge Tube	.100	.100	.100	.100
Aluminum Gauge Nose Cone	.125	.125	.125	.125
Deck Size	8' 6" x 22' 9"	8' 6" x 24' 9"	8' 6" x 26' 9"	8' 6" x 28' 9"
Boat Weight (Lbs.)*	2,660	2,920	3,180	3,440
Max Capacity (Lbs.)	3,200	3,600	4,000	4,400
Person Capacity	14	15	16	18
Passenger Capacity (Lbs.)	2,450	2,650	2,900	3,150
Max Horsepower	200	300 (350 HTH)	300 (350 HTH)	300 (350 HTH)

*Boat weights are approximate and do not take in account the weight of the engine and gear.



Center Console Dual 9" Garmin Helm



Fishing Tower with Canopy



Battery Control Center and Washdown Station



Custom Fishing Station with Plano Tackle Boxes and Locking Storage Drawer



Raised Bow Deck and Two Fishing Seats



SPORTANGLER 26TT HTH

A truly unique Fishing Pontoon Boat designed for the most discriminating and enthusiastic angler. Loaded with standard features to enhance their fishing experience and the right options to customize it to their special needs.

SportAngler 26TT HTH STAND-OUT Standard Features

- High Tide Hull
- .3 – U Shaped Tubes
- .100 5052 H34 Aluminum Pontoons
- .125 Nose-cones
- Lifting Fins
- .090 Sq. Alum. Textured Powder Coated Rails (White or Black)
- 100 Gallon Fuel Tank
- 16" on Center Cross Members
- 3/4" Wolmanized Shiplap Plywood Deck
- Aluminum Bottom Skin
- Rigid Poly Vinyl Trim (White or Black)
- SS Rub Rail Insert
- Polished Aluminum Corner Castings
- 5 – SS Flip-up Cleats
- Heavy Duty SS Ski Tow
- Dual Swim Platforms w/Stbd. Ladder
- JC Grass or JC Plank Flooring (Taupe or Gray)
- SS Bow Rails
- 2 - Horns (Electric)
- Raised Bow Deck w/Bait Bucket, Anchor Locker and Storage Compartments
- SS Double Gates on Port & Stbd. Sides
- SS Rails & SS Double Gate at Stern
- SS LED Navigation Lights
- Power Assist Hydraulic Steering w/Tilt Wheel
- Interior Courtesy Lighting (Blue)
- Floor Misting System
- In-Tube Storage (Port Tube)
- Center Helm w/Custom Raised Base w/Drawers
- Fishing Tower – Powder Coated (White or Black) w/Bimini and Upper Cabinet
- Dash w/Dual 9" Garmin Touch Screens
- Automatic Navigation Light Module
- 15 Minute Delay and Boarding Assistance Switch
- Fusion Apollo MS-RA770 Stereo w/6 – 8.8 RGB Speakers and Auxiliary USB
- Windshield
- Double Wide Flip-back Leaning Post at Helm
- 54 QT Cooler on Sliding Platform w/ a Starboard Table Top
- Center Front Lounge Seat
- 2 – Bow Fishing Seats w/Heavy Duty Adj. Pedestals
- Unique Swing Back Stern Seat
- Battery Control Center
- Filtered Wash-down Station
- 2 – Wireless Phone Chargers
- 4 – Custom Fishing Stations w/Traxtech XS System, (1 w/Flip-out Trash, Flip-up Table, Bait/Fillet Board; 1 w/Multiple Plano Tackle Box Section; 1 w/Lockable Cabinet and Additional Storage Drawers; and then 1 w/Rod Holder Compartment)
- Gray Hydrofend Covers for Double Leaning Post at Helm and 2 Fishing Seats

OPTIMAL Options

- Accu-Thrust Thruster System
- White-out/Black-out Package
- RGB Interior/Exterior Lighting Package
- Traxtech Cup Holder w/Track Mount
- Traxtech Aluminum Adjustable Rod Holder
- Traxtech Net w/Holder

SportAngler 26TT HTH . SPECIFICATIONS

Hull Type	TriToon HTH
Pontoon Length	26'
Aluminum Gauge Tube	.100
Aluminum Gauge Nose Cone	.125
Deck Size	8' 6" x 26' 9"
Boat Weight (Lbs.)*	5,700
Max Capacity (Lbs.)	6,500
Person Capacity	10
Max Horsepower	350

*Boat weights are approximate and do not take in account the weight of the engine and gear.



SPORTYACHT 32TT HTH

This 32' amenity-rich SportYacht was born to entertain. It has what you need to host an on water party with way too many cool features to even begin to describe.



Split Swing Back Seating



High Tide Hull



Starboard Side Gate in Front of Helm



White .090 Square Aluminum Textured Powder Coated Rails



JC TriToon Custom Chrome-cal Decals



Solid Surface Yacht Table with Two Bar Stools



Standard Dual Swim Platforms with White-out Option

SportYacht 32TT HTH STAND-OUT Standard Features

- High Tide Hull
- .3 – U Shaped Tubes
- .100 5052 H34 Aluminum Pontoon
- .125 Nose-cones
- Lifting Fins
- .090 Sq. Alum. Textured Powder Coated Rails (White or Black)
- 49 Gallon Fuel Tank
- 16" on Center Cross Members
- 3/4" Wolmanized Shiplap Plywood Deck
- Aluminum Bottom Skin
- Rigid Poly Vinyl Trim (White or Black)
- SS Rub Rail insert
- Polished Aluminum Corner Castings
- 5 – SS Flip-up Cleats
- SS Double Bow Gates
- Dual Rear Swim Platform w/Ladder
- Heavy Duty SS Ski Tow
- JC Grass or JC Plank Flooring (Taupe or Gray)
- SS Bow Rails
- Bow Pods w/Corner Cabinets
- LED Docking and Navigation Lights
- Power Assist Hydraulic Steering w/Tilt Wheel
- Interior Courtesy Lighting (Blue)
- Battery Control Center
- Dash w/9" Garmin Touch Screen and 2 – Programmable Digital Gauges
- Automatic Navigation Light Module
- 15 Minute Delay and Boarding Assistance Switch
- Fusion Apollo MS-RA770 Stereo w/6 – 7.7 Speakers and Auxiliary USB
- Lounger Arms w/Storage Door and Folding Arm Rest
- Upholstery Trim Package
- HighBack Recliner – Captains Chair w/ Heavy Duty Pedestal
- SwingBack Seat Assembly
- SS Stern Rail Package
- Solid Surface Yacht Table w/Double Pedestals
- 2 – Bar Stools w/SS back and Adj. Height Pedestal
- 2 – High Back Recliners w/Leg Lift (Port and Stbd. in Front of Side Gates)
- Power Bimini Top – Electric (Sunbrella)

OPTIMAL Options

- Accu-Thrust Thruster System
- White-out/Black-out Package
- 100 Gallon Fuel Tank
- Lounger Arm w/Storage & Drawer – USB
- Lounger Arm w/Trash & Flip-down – USB
- Lounger Arm w/2-Drawers & Flip-down – USB
- Lounger Arm w/Wine Cabinet & Flip-down – USB
- Lounger Arm w/Cooler
- Lounger Arm w/Flip-up Table & SS cups
- Upright Cooler
- Slide-out Bow Lounges (Pair)
- Raised Helm Platform w/Marine Mat
- RGB Interior/Exterior Lighting Package
- Dual 9" Garmin Touch Screen
- Premium Speakers (6) 8.8 w/RGB Lights (w/6 Channel Amp)
- Misting System Floor and/or Bimini
- Misting System for Helm
- Seat Covers (Sunbrella)
- Mooring Cover (Sunbrella)

SportYacht 32TT HTH . SPECIFICATIONS

Hull Type	TriToon HTH
Pontoon Length	32'
Aluminum Gauge Tube	.100
Aluminum Gauge Nose Cone	.125
Deck Size	8' 6" x 32' 9"
Boat Weight (Lbs.)*	3,930
Max Capacity (Lbs.)	5,028
Person Capacity	22
Passenger Capacity (Lbs.)	3,300
Max Horsepower	350

*Boat weights are approximate and do not take in account the weight of the engine and gear.



SWINGBACK 25TT SPORT HTH

Enjoy a day at the sandbar with this JC favorite. The open stern area provides a generous swimming platform and superior maneuverability for skiing and tubing. The family will love the spacious, comfortable layout.



9" Garmin Dash with R3 Digital Gauges



Bow Gate Seat



SS Stern Rails with White-out Option



Bow Anchor Locker – Standard on HTH



Swing Back Seating with Rear Speakers

Swing Back STAND-OUT Standard Features

- .3 – U Shaped Tubes
- .100 5052 H34 Aluminum Pontoons
- .125 Nose-cones
- Lifting Fins
- Power Assist Hydraulic Steering w/Tilt Wheel
- .090 Sq. Alum. Textured Powder Coated Rails (White or Black)
- 49 Gallon Fuel Tank
- 16" on Center Cross Members
- 3/4" Wolmanized Shiplap Plywood Deck
- Aluminum Bottom Skin
- Rigid Poly Vinyl Trim (White or Black)
- Polished Aluminum Corner Castings
- JC Grass or JC Plank Flooring (Taupe or Gray)
- Stern Slide-out Lounges
- Bow Gate Seat
- High Back Reclining Captain's Chair
- HD Seat Pedestal w/Adjustable Slider
- High Back Reclining Companion Chair
- HD Seat Pedestal w/Adjustable Slider
- Dual Swim Platforms w/ Stbd. Ladder
- Upholstery Trim Package
- SS Bow Gate and SS Stern Rails and Gates
- 5 – SS Flip-up Cleats
- Dash with 3 – Programmable Digital Gauges
- Fusion Apollo MS-RA770 Stereo w/4-6.5 Speakers and Auxiliary USB
- Automatic Navigation Light Module
- 15 Minute Delay and Boarding Assistance Switch
- LED Docking and Navigation Lights
- Lounger Arms w/Storage (25' & 27' only)
- Heavy Duty Aluminum Ski Tow
- Battery Control Center
- Interior Courtesy Lighting (Blue)
- Power Bimini Top – Electric (Sunbrella)

OPTIMAL Options

- High Tide Hull
- Accu-Thrust Thruster System
- White-out/Black-out Package
- 100 Gallon Fuel tank
- Lounger Arm w/Storage & Drawer – USB (25' & 27' only)
- Lounger Arm w/Trash & Flip-down – USB (25' & 27' only)
- Lounger Arm w/2-Drawers & Flip-down – USB (25' & 27' only)
- Lounger Arm w/Wine Cabinet & Flip-down – USB (25' & 27' only)
- Lounger Arm w/Cooler (25' & 27' only)
- Lounger Arm w/Flip-up Table & SS cups (25' & 27' only)
- Upright Cooler (25' & 27' only)
- Leg Lift for High Back Recliner (Companion Seat)
- Raised Helm Platform w/Marine Mat
- RGB Interior/Exterior Lighting Package
- SS Rub Rail Insert
- In-Tube Storage w/Marine Mat
- 9" Garmin Touch Screen
- Premium Speakers (4) or (6) 7.7 (with or without amp)
- Premium Speakers (6) 8.8 w/RGB Lights (w/6 Way Amp)
- Premium Speakers Rear Deck (2) 8.8 (w/Amp)
- Misting System Floor and/or Bimini
- Misting System for Helm
- Seat Covers (Sunbrella)
- Mooring Cover (Sunbrella)

Swing Back . SPECIFICATIONS

	23TT Sport	25TT Sport	27TT Sport
Hull Type	TriToon	TriToon	TriToon
Pontoon Length	23'	25'	27'
Aluminum Gauge Tube	.100	.100	.100
Aluminum Gauge Nose Cone	.125	.125	.125
Deck Size	8' 6" x 23' 7"	8' 6" x 25' 7"	8' 6" x 27' 7"
Boat Weight (Lbs.)*	2,845	3,105	3,365
Max Capacity (Lbs.)	3,600	4,000	4,400
Person Capacity	15	16	18
Max Horsepower	300 (350 HTH)	300 (350 HTH)	300 (350 HTH)

*Boat weights are approximate and do not take in account the weight of the engine and gear.



NEPTOON 23TT SPORT HTH



Spoked Steering Wheel – Upgrade



Helm Misting System



Intuitive Thruster System Control

Enter into full-scale family fun when you power up the NepToon. With a TriToon sport hull, you can assure everyone of an amped up outing.



Aluminum Seat Bases with Panel Color Options



Fusion 8.8 Speaker with RGB Lights



350 HP Available with HTH



NepToon STAND-OUT Standard Features

- .3 – U Shaped Tubes
- .100 5052 H34 Aluminum Pontoons
- .125 Nose-cones
- Lifting Fins
- Power Assist Hydraulic Steering w/Tilt Wheel
- .090 Sq. Alum. Textured Powder Coated Rails (White or Black)
- 49 Gallon Fuel Tank
- 16" on Center Cross Members
- 3/4" Wolmanized Shiplap Plywood Deck
- Aluminum Bottom Skin
- Rigid Poly Vinyl Trim (White or Black)
- Polished Aluminum Corner Castings
- JC Grass or JC Plank Flooring (Taupe or Gray)
- Stern Slide-out Lounges
- Bow Gate Seat
- High Back Reclining Captain's Chair
- HD Seat Pedestal w/Adjustable Slider
- Upholstery Trim Package
- SS Stern Ladder w/LED Lights
- 5 – SS Flip-up Cleats

- Heavy Duty Aluminum Ski Tow
- Fusion Apollo MS-RA770 Stereo w/4 – 6.5 Speakers and Auxiliary USB
- Dash with 3 – Programmable Digital Gauges
- Automatic Navigation Light Module
- 15 Minute Delay and Boarding Assistance Switch
- Battery Control Center
- Interior Courtesy Lighting (Blue)
- Power Bimini Top – Electric (Sunbrella)

OPTIMAL Options

- High Tide Hull (available on 23' 25', 27' only)
- Accu-Thrust Thruster System
- White-out/Black-out Package
- 100 Gallon Fuel tank
- Lounger Arm w/Storage & Drawer – USB
- Lounger Arm w/Trash & Flip-down – USB
- Lounger Arm w/2 – Drawers & Flip-down – USB
- Lounger Arm w/Wine Cabinet & Flip-down – USB
- Lounger Arm w/Cooler
- Lounger Arm w/Flip-up Table & SS cups

- Upright Cooler
- Slide-out Bow Lounges (Pair)
- Bow Gate Seat
- Raised Helm Platform w/Marine Mat
- RGB Interior/Exterior Lighting Package
- SS Bow Rails
- SS Rub Rail insert
- In-Tube Storage w/Marine Mat
- 9" Garmin Touch Screen
- Premium Speakers (4) or (6) 7.7 (with or without Amp)
- Premium Speakers (6) 8.8 w/RGB Lights (w/6 way amp)
- Premium Speakers Rear Deck (2) 8.8 (w/amp)
- Misting System Floor and/or Bimini
- Misting System for Helm
- Seat Covers (Sunbrella)
- Mooring Cover (Sunbrella)

NepToon . SPECIFICATIONS

	21TT Sport	23TT Sport	25TT Sport	27TT Sport
Hull Type	TriToon	TriToon	TriToon	TriToon
Pontoon Length	21'	23'	25'	27'
Aluminum Gauge Tube	.100	.100	.100	.100
Aluminum Gauge Nose Cone	.125	.125	.125	.125
Deck Size	8' 6" x 21' 7"	8' 6" x 23' 7"	8' 6" x 25' 7"	8' 6" x 27' 7"
Boat Weight (Lbs.)*	2,585	2,845	3,105	3,365
Max Capacity (Lbs.)	3,200	3,600	4,000	4,400
Person Capacity	14	15	16	18
Max Horsepower	200	300 (350 HTH)	300 (350 HTH)	300 (350 HTH)

*Boat weights are approximate and do not take in account the weight of the engine and gear.



SPIRIT 247TT DSL SUPER SPORT



Stainless Steel Bow Rails



Tan/Taupe Interior

Access the legendary performance of JC TriToon Marine at a cost that affords you the excitement you're looking for – with the Spirit. Layout options offer the room for a perfect day making waves.



Spirit SUPER SPORT Badge



Spirit Helm



Spirit TT Sport STAND-OUT Standard Features

- .3 – U Shaped Tubes
- .100 5052 H34 Aluminum pontoons
- .125 Nose-cones
- Lifting Fins
- Power Assist Hydraulic Steering w/Tilt Wheel
- .090 Sq. Alum. Textured Powder Coated Rails (White or Black)
- 49 Gallon Fuel Tank
- 16" on Center Cross Members
- 3/4" Wolmanized Shiplap Plywood Deck
- Aluminum Bottom Skin
- Rigid Poly Vinyl Trim (White or Black)
- Polished Aluminum Corner Castings
- JC Grass or JC Plank Flooring (Taupe or Gray)
- 4 – SS Flip-up Cleats
- Analog Gauges – GPS Speedometer, Tachometer w/Hour Meter, Multifunction Fuel/Trim
- LED Docking and Navigation Lights
- Fusion Apollo MS-RA770 Stereo w/4 – 6.5 Speakers and Auxiliary USB
- Courtesy Light on Helm
- Lounger Arm w/Storage (when layout allows)
- High Back Reclining Captain's Chair
- Adjustable Height Pedestal
- Heavy Duty Aluminum Ski Tow
- Power Bimini Top - Electric (Sunbrella)

OPTIMAL Options

- SUPER SPORT Package
- White-out/Black-out Package
- Raised Helm Platform w/JC Grass Mat
- Battery Control Center
- In-Tube Storage w/Marine Mat
- SS Bow Rails
- Lounger Arm w/Storage & Drawer – USB
- Lounger Arm w/Trash & Flip-down – USB
- Lounger Arm w/2-Drawers & Flip-down – USB
- Lounger Arm w/Wine Cabinet & Flip-down – USB
- Lounger Arm w/Cooler
- Lounger Arm w/Flip-up Table & SS cups
- Upright Cooler
- Seat Covers (Sunbrella)
- Mooring Cover (Sunbrella)

Spirit . SPECIFICATIONS	201TT Sport	221TT/222TT Sport	241TT/242TT Sport
Hull Type	TriToon	TriToon	TriToon
Pontoon Length	19'	21'	23'
Pontoon Size (2 or 3)	24" x 24"	24" x 24"	24" x 24"
Deck Size	8' 6" x 19' 7"	8' 6" x 21' 7"	8' 6" x 23' 7"
Boat Weight (Lbs.)*	2,200	2,460	2,720
Max Capacity (Lbs.)	2,900	3,200	3,600
Person Capacity	14	14	15
Max Horsepower	150	200	200

Spirit . SPECIFICATIONS	247 TT DSL / 248TT SB Sport	262TT Sport	267TT DSL / 268TT SB Sport
Hull Type	Sport	TriToon	TriToon
Pontoon Length	23'	25'	25'
Pontoon Size (2 or 3)	24" x 24"	24" x 24"	24" x 24"
Deck Size	8' 6" x 23' 7"	8' 6" x 25' 7"	8' 6" x 25' 7"
Boat Weight (Lbs.)*	2,820	2,980	3,080
Max Capacity (Lbs.)	3,600	4,000	4,000
Person Capacity	15	16	16
Max Horsepower	200	200	200

*Boat weights are approximate and do not take in account the weight of the engine and gear.



JC TriToon Marine



JC Manufacturing, Inc.

P.O. Box 340
North Webster, IN 46555
E-Mail: sales@jcpontoon.com
www.jcpontoon.com

Limited Lifetime Warranty
of Pontoons

*Complete warranty details and conditions
are available from your dealer.*

**Not for sale in California.*



JC TriToon Marine
proudly uses
Sunbrella Material

Dealer